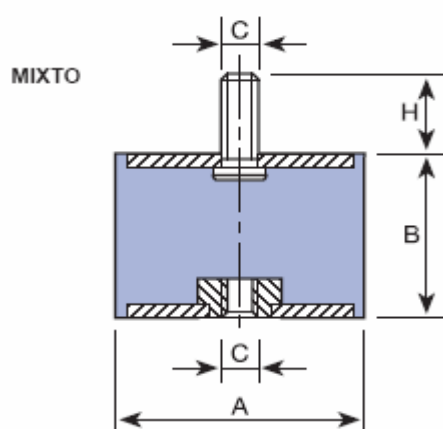


### APOIO REDONDO C/ 2 PERNOS

REF <sup>a</sup>	A	B	C X H	Carga Kg
191120001	12,5	10	M.5X10	12
191120002		15		10
191120003		20		8
191120011	16	10	M.5X12	20
191120012		15		20
191120013		20		15
191120014		25		15
191120021	20	8,5	M.6X16,5	40
191120022		15		35
191120023		20		30
191120024		25		30
191120025		30		25
191120171	25,5	10	M.6X16,5	80
191120172		15		60
191120173		20		55
191120174		25		50
191120175		30		50
191120026	25,5	10	M.8X20	80
191120031		15		60
191120032		19		55
191120033		22		50
191120034		25		50
191120035		30		50
191120036		40		50
191120041	30	15	M.8X20	90
191120042		22		80
191120186		25		75
191120043		30		70
191120044		40		60
191120193	40	20	M.8X20	160
191120194		25		150
191120195		28		150
191120196		30		150
191120197		35		120
191120198		40		120
191120199		45		120
191120051	40	20	M.10X25	160
191120191		25		150
191120052		28		150
191120192		30		150
191120053		35		120
191120054		40		120
191120055		45		120

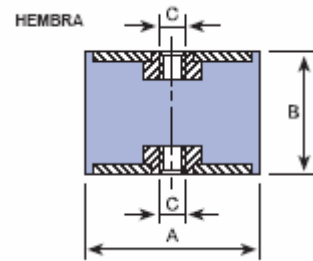
REF <sup>a</sup>	A	B	C X H	Carga Kg
191120201	50	20	M.10X25	300
191120061		25		300
191120202		30		275
191120062		35		250
191120203		40		210
191120063		45		190
191120204		50		170
191120064		60		150
191120071	60	25	M.10X25	400
191120072		36		300
191120073		45		250
191120074		60		200
191120081	70	35	M.10X25	450
191120082		50		350
191120083		60		300
191120084		70		300
191120091	75	25	M.12X30	650
191120092		40		500
191120093		45		500
191120094		55		450
191120101	80	30	M.14X35	950
191120102		40		600
191120103		50		550
191120104		55		550
191120105		70		500
191120106		75		450
191120111	95	40	M.16X44	1200
191120112		55		1000
191120113		60		800
191120114		75		700
191120121	105	50	M.16X44	1200
191120122		75		1000
191120123		100		800
191120131	120	50	M.16X44	1500
191120132		75		1200
191120133		100		1000
191121042	130	50	M.16X45	1600
191121043		75		1450
191120144		100		1200
191120151	150	50	M.20X50	1800
191120152		75		1650
191120153		100		1400



### APOIO REDONDO PERNO E FÊMEA

REF <sup>a</sup>	A	B	C X H	Carga Kg
191121001	12,5	10	M.5X10	12
191121002		15		10
191121003		20		8
191121011	16	10	M.5X12	20
191121012		15		20
191121013		20		15
191121014		25		15
191121022	20	15	M.6X16,5	35
191121023		20		30
191121024		25		30
191121025		30		25
191121172	25,5	15	M.6X18	60
191121173		20		55
191121174		25		50
191121175		30		50
191121031	25,5	15	M.8X20	60
191121032		19		55
191121033		22		50
191121034		25		50
191121035		30		50
191121036		40		50
191121041	30	15	M.8X20	90
191121042		22		80
191121186		25		75
191121043		30		70
191121044		40		60
191121193	40	20	M.8X20	160
191121194		25		150
191121195		28		150
191121196		30		150
191121197		35		120
191121198		40		120
191121199		45		120
191121051	40	20	M.10X25	160
191121191		25		150
191121052		28		150
191121192		30		150
191121053		35		120
191121054		40		120
191121055		45		120

REF <sup>a</sup>	A	B	C X H	Carga Kg
191121201	50	20	M.10X25	300
191121061		25		300
191121202		30		275
191121062		35		250
191121203		40		210
191121063		45		190
191121204		50		170
191121064		60		150
191121071	60	25	M.10X25	400
191121072		36		300
191121073		45		250
191121074		60		200
191121081	70	35	M.10X25	450
191121082		50		350
191121083		60		300
191121084		70		300
191121091	75	25	M.12X30	650
191121092		40		500
191121093		45		500
191121094		55		450
191121101	80	30	M.14X35	950
191121102		40		600
191121103		50		550
191121104		55		550
191121105		70		500
191121106		75		450
191121111	95	40	M.16X45	1200
191121112		55		1000
191121113		60		800
191121114		75		700
191121121	105	50	M.16X45	1200
191121122		75		1000
191121123		100		800
191121131	120	50	M.16X45	1500
191121132		75		1200
191121133		100		1000
191121142	130	50	M.16X45	1600
191121143		75		1450
191121144		100		1200
191121151	150	50	M.20X50	1800
191121152		75		1650
191121153		100		1400



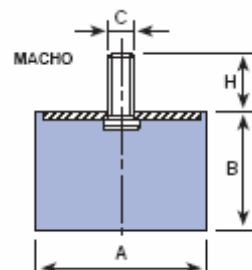
## APOIO REDONDO C/ 2 FEMÊAS

REF <sup>a</sup>	A	B	C	Carga Kg
------------------	---	---	---	----------

191122002	12,5	15	M.5	10
191122003		20		8
191122013	16	20	M.5	15
191122014		25		15
191122023	20	20	M.6	30
191122024		25		30
191122025		30		25
191122173	25,5	20	M.6	55
191122174		25		50
191122175		30		50
191122032	25,5	19	M.8	55
191122033		22		50
191122034		25		50
191122035		30		50
191122036	30	40	M.8	50
191122042		22		80
191122186		25		75
191122043		30		70
191122044	40	40	M.8	60
191122194		25		150
191122195		28		150
191122196		30		150
191122197		35		120
191122198		40		120
191122199		45		120
191122052	40	28	M.10	150
191122192		30		150
191122053		35		120
191122054		40		120
191122055		45		120
191122061	50	25	M.10	300
191122202		30		275
191122062		35		250
191122203		40		210
191122063		45		190
191122204		50		170
191122064		60		150

REF <sup>a</sup>	A	B	C	Carga Kg
------------------	---	---	---	----------

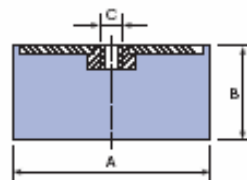
191122071	60	25	M.10	400
191122072		36		300
191122073		45		250
191122074		60		200
191122081	70	35	M.10	450
191122082		50		350
191122083		60		300
191122084	75	70	M.12	300
191122092		40		500
191122093		45		500
191122094	80	55	M.14	450
191122101		30		950
191122102		40		600
191122103		50		550
191122104		55		550
191122105		70		500
191122106		75		450
191122111	95	40	M.16	1200
191122112		55		1000
191122113		60		800
191122114	105	75	M.16	700
191122122		50		1200
191122123		75		1000
191122124	120	100	M.16	800
191122131		50		1500
191122132		75		1200
191122133	130	100	M.16	1000
191122142		50		1600
191122143		75		1450
191122144		100		1200
191122151	150	50	M.20	1800
191122152		75		1650
191122153		100		1400



### APOIO BATENTE C/ PERNO

REF <sup>a</sup>	A	B	C X H	Carga Kg
191110001	12,5	10	M.5X10	12
191110002		15		10
191110003		20		8
191110004	16	10	M.5X12	20
191110005		15		20
191110006		20		15
191110007		25		15
191110008	20	8,5	M.6X16,5	40
191110009		15		35
191110010		20		30
191110011		25		30
191110012		30		25
191110091	25,5	10	M.6X18	80
191110092		15		60
191110093		20		55
191110094		25		50
191110095		30		50
191110013	25,5	10	M.8X20	80
191110014		15		60
191110015		19		55
191110016		22		50
191110017		25		50
191110018		30		50
191110019		40		50
191110020	30	15	M.8X20	90
191110021		22		80
191110101		25		75
191110022		30		70
191110023		40		60
191110112	40	20	M.8X20	160
191110113		25		150
191110114		28		150
191110115		30		150
191110116		35		120
191110117		40		120
191110118		45		120
191110024	40	20	M.10X25	160
191110110		25		150
191110025		28		150
191110111		30		150
191110026		35		120
191110027		40		120
191110028		45		120

REF <sup>a</sup>	D	A	C X H	Carga Kg
191110121	50	20	M.10X25	300
191110029		25		300
191110122		30		275
191110030		35		250
191110123		40		210
191110031		45		190
191110124		50		170
191110032		60		150
191110033	50	25	M.10X25	400
191110034		36		300
191110035		45		250
191110036		60		200
191110037	70	35	M.10X25	450
191110038		50		350
191110039		60		300
191110040		70		300
191110041	75	25	M.12X30	650
191110042		40		500
191110043		45		500
191110044		55		450
191110045	80	30	M.14X35	950
191110046		40		600
191110047		50		550
191110048		55		550
191110049		70		500
191110050		75		450
191110051	95	40	M.16X45	1200
191110052		55		1000
191110053		60		800
191110054		75		700
191110055	105	50	M.16X45	1200
191110056		75		1000
191110057		100		800
191110058	120	50	M.16X45	1500
191110059		75		1200
191110060		100		1000
191110062	130	50	M.16X45	1600
191110063		75		1450
191110064		100		1200
191110065	150	50	M.20X50	1800
191110066		75		1650
191110067		100		1400

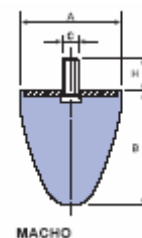


### APOIO BATENTE C/ FEMÊA

REF <sup>a</sup>	A	B	C X H	Carga Kg	REF <sup>a</sup>	A	B	C X H	Carga Kg
191111001	12,5	10	M.5X10	12	191111121	50	20	M.10X25	300
191111002		15		10	191111029		25		300
191111003		20		8	191111122		30		275
191111004	16	10	M.5X12	20	191111030		35		250
191111005		15		20	191111123		40		210
191111006		20		15	191111031		45		190
191111007		25		15	191111124		50		170
191111008	20	8,5	M.6X16,5	40	191111032	60	150		
191111009		15		35	191111033	25	400		
191111010		20		30	191111034	36	300		
191111011		25		30	191111035	45	250		
191111012		30		25	191111036	60	200		
191111091	25,5	10	M.6X18	80	191111037	35	450		
191111092		15		60	191111038	50	350		
191111093		20		55	191111039	60	300		
191111094		25		50	191111040	70	300		
191111095		30		50	191111041	25	650		
191111013	25,5	10	M.8X20	80	191111042	40	500		
191111014		15		60	191111043	45	500		
191111015		19		55	191111044	55	450		
191111016		22		50	191111045	30	950		
191111017		25		50	191111046	40	600		
191111018		30		50	191111047	50	550		
191111019		40		50	191111048	55	550		
191111020	30	15	M.8X20	90	191111049	70	500		
191111021		22		80	191111050	75	450		
191111101		25		75	191111051	40	1200		
191111022		30		70	191111052	55	1000		
191111023	40	40	M.8X20	60	191111053	60	800		
191111112		20		160	191111054	75	700		
191111113		25		150	191111055	50	1200		
191111114		28		150	191111056	75	1000		
191111115		30		150	191111057	100	800		
191111116		35		120	191111058	50	1500		
191111117		40		120	191111059	75	1200		
191111118		45		120	191111060	100	1000		
191111024	40	20	M.10X25	160	191111062	50	1600		
191111110		25		150	191111063	75	1450		
191111025		28		150	191111064	100	1200		
191111111		30		150	191111065	50	1800		
191111026		35		120	191111066	75	1650		
191111027		40		120	191111067	100	1400		
191111028		45		120					

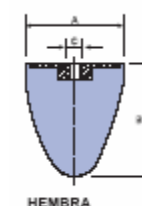
### APOIO BATENTE TIPO PEÃO C/ PERNO

REF <sup>a</sup>	A	B	C X H	Carga Kg
191115001	25	19	M.8X20	100
191115002	30	30	M.6X16	140
191115003	50	50	M.8X20	340
191115004	50	64	M.8X35	370
191115005	50	58	M.8X20	400
191115006	72	58	M.12X30	550
191115007	95	80	M.16X45	1100



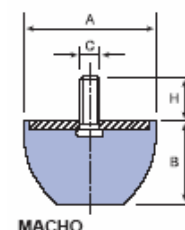
### APOIO BATENTE TIPO PEÃO C/ FEMÊA

REF <sup>a</sup>	A	B	C X H	Carga Kg
191115008	25	19	M.8X20	100
191115009	30	30	M.6X16	140
191115010	50	50	M.8X20	340
191115011	50	64	M.8X35	370
191115012	50	58	M.8X20	400
191115014	72	58	M.12X30	550
191115015	95	80	M.16X45	1100



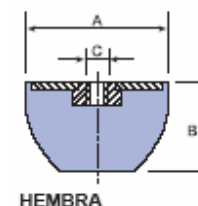
### APOIO BATENTE TIPO PEÃO ACHATADO C/ PERNO

REF <sup>a</sup>	A	B	C X H	Carga Kg
191116001	84	52	M.12X35	1500
191116002	120	75	M.16X45	3000
191116003	220	137	M.24X80	15000



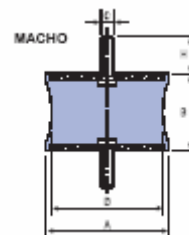
### APOIO BATENTE TIPO PEÃO ACHATADO C/ FEMÊA

REF <sup>a</sup>	A	B	C X H	Carga Kg
191116011	84	52	M.12X35	1500
191116012	120	75	M.16X45	3000
191116013	220	137	M.24X80	15000



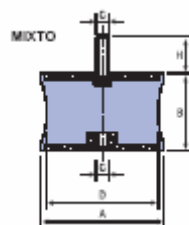
### APOIO CÔNCAVO C/ 2 PERNOS

REF <sup>a</sup>	A	B	CÔNCAV.	C X H	Carga Kg
191129001	12	12	8	M.5X11	4
191129002	20	19	13,5	M.6X16,5	12
191129003	30	25	24	M.8X20	40
191128001	40	28	19	M.8X25	30
191129004	40	28	19	M.10X25	30
191129005	40	30	26	M.8X25	45
191129006	44	42	25	M.8X25	50
191129007	60	44	24	M.8X20	40
191129008	60	44	34	M.8X20	75
191129008A	60	44	34	M.10X20	75
191129009	60	60	50	M.10X25	150
191129010	60	36	37	M.10X25	100
191129011	80	70	70	M.14X35	300
191129012	95	76	80	M.16X45	400



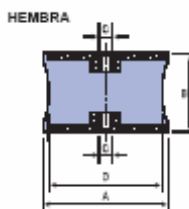
### APOIO CÔNCAVO PERNO E FÊMEA

REF <sup>a</sup>	A	B	CÔNCAV.	C X H	Carga Kg
191129101	12	12	8	M.5X11	4
191129102	20	19	13,5	M.6X16,5	12
191129103	30	25	24	M.8X20	40
191129104	40	28	19	M.8X25	30
191129104A	40	28	19	M.10X25	30
191129105	40	30	26	M.8X25	45
191129106	44	42	25	M.8X25	50
191129107	60	44	24	M.8X20	40
191129108	60	44	34	M.8X20	75
191129108A	60	44	34	M.10X20	75
191129109	60	60	50	M.10X25	150
191129110	60	36	37	M.10X25	100
191129111	80	70	70	M.14X35	300
191129112	95	76	80	M.16X45	400



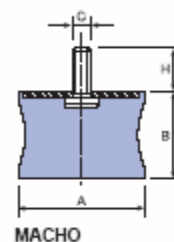
### APOIO CÔNCAVO C/ 2 FÊMEAS

REF <sup>a</sup>	A	B	CÔNCAV.	C X H	Carga Kg
191129202	20	19	13,5	M.6X16,5	12
191129203	30	25	24	M.8X20	40
191129204	40	28	19	M.8X25	30
191129204A	40	28	19	M.10X25	30
191129205	40	30	26	M.8X25	45
191129206	44	42	25	M.8X25	50
191129207	60	44	24	M.8X20	40
191129208	60	44	34	M.8X20	75
191129208A	60	44	34	M.10X20	75
191129209	60	60	50	M.10X25	150
191129210	60	36	37	M.10X25	100
191129211	80	70	70	M.14X35	300
191129212	95	76	80	M.16X45	400



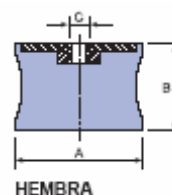
## APOIO CÔNCAVO BATENTE C/ PERNO

REF <sup>a</sup>	A	B	C X H	Carga Kg
1114001	30	23	M.8X20	90
1114002	44	42	M.8X20	100
1114003	60	44	M.8X20	100
1114004	60	44	M.8X20	200
1114005	60	60	M.10X25	350
1114006	30	31	M.10X25	275
1114007	80	65	M.14X35	800
1114008	95	70	M.16X45	1000



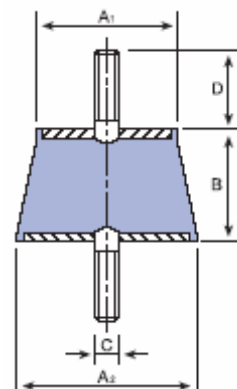
## APOIO CÔNCAVO BATENTE C/ FÊMEA

REF <sup>a</sup>	A	B	C X H	Carga Kg
1114011	30	23	M.8X20	90
1114012	44	42	M.8X20	100
1114013	60	44	M.8X20	100
1114014	60	44	M.8X20	200
1114015	60	60	M.10X25	350
1114016	30	31	M.10X25	275
1114017	80	65	M.14X35	800
1114018	95	70	M.16X45	1000



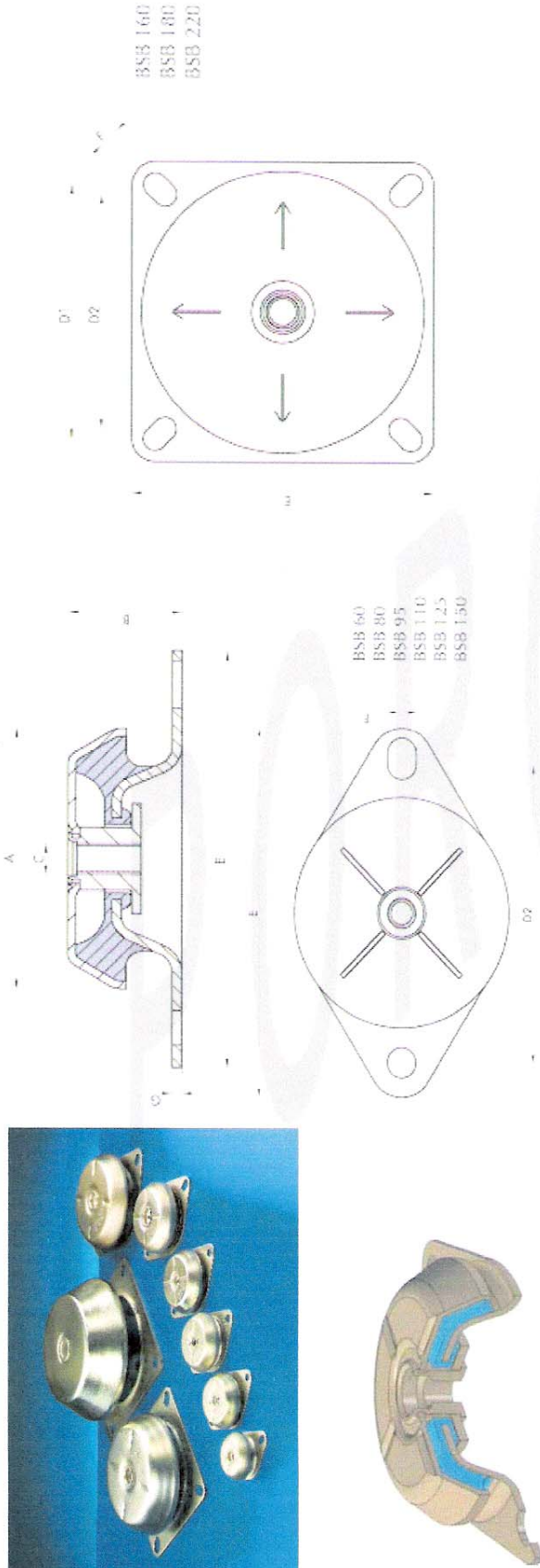
## APOIO CÓNICO C/ 2 PERNOS

REF <sup>a</sup>	A1	A2	B	C X H	Carga Kg
1131001	30	40	24	M.8X24	30
1131002	30	40	24	M.8X24	50
1131003	40	50	34	M.8X24	85
1131004	40	50	34	M.8X24	85
1131005	60	65	48	M.12X30	150
1131006	130	140	72	M.18X45	1000





**APOIO ANTI-VIBRADOR TIPO BSB**

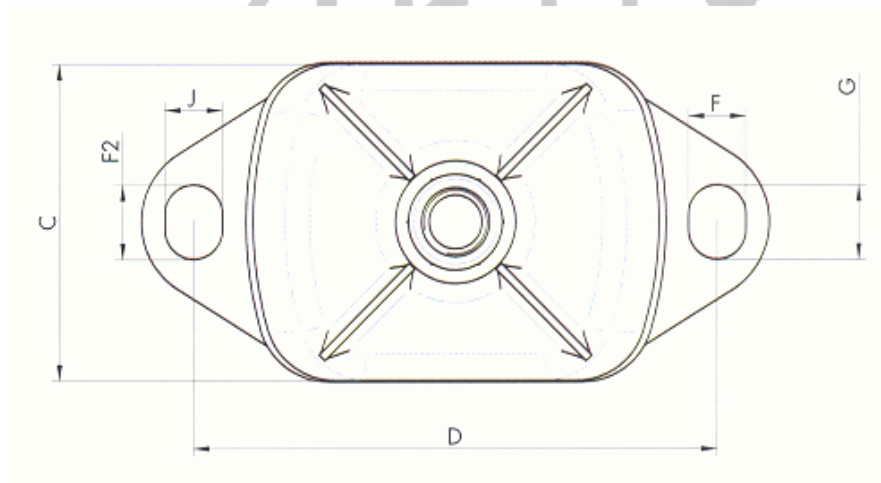
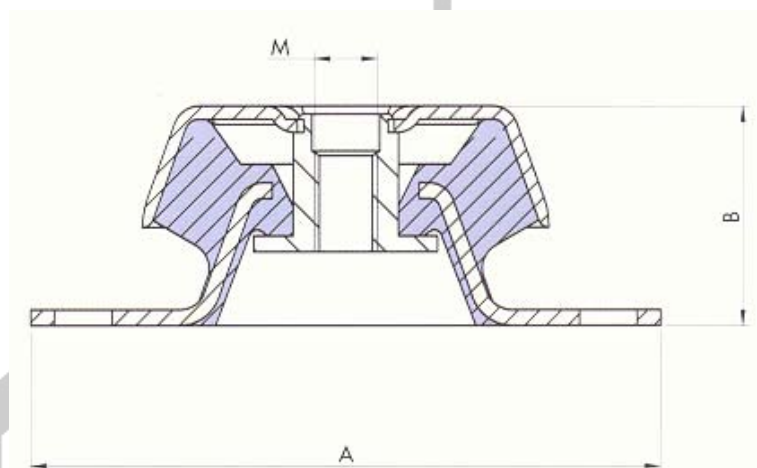


Ref	TIPO	A	B	C	D1 (Min)	D2 (Max)	E	G	F	Dureza	Peso grs	Carga Kg
191135104	BRB 60	64	35	M-10	76	91	110	2,5	9	70 Sh	235	245
191135264	BSB 80 M10	79	30	M-10	108	110	130	3	9	70 Sh	355	300
191135268	BSB 80 M12	79	30	M-12	108	110	130	3	9	70 Sh	351	300
191135314	BSB 95 M10	95	35	M-10	122	124	150	3	10	70 Sh	488	330
191135318	BSB 95 M12	95	35	M-12	122	124	150	3	10	70 Sh	488	330
191135338	BSB 110 M12	106	37	M-16	133	146	170	3,5	12,5	70 Sh	785	550
191135153	BSB 110 M16	106	37	M-16	133	146	170	3,5	12,5	70 Sh	785	550
191135354	BSB 125	124	43	M-16	156	158	192	3,5	14	70 Sh	1109	900
191135364	BSB 150	145	49	M-16	176	188	218	4	14,5	70 Sh	1818	*
191135384	BSB 160	162	59	M-20	140	140	170	4	14,5	70 Sh	*	2300
191135183	BSB 180	180	66	M-20	149	163	192	4	14,5	70 Sh	2914	2900
191135304	BSB 220	220	105	M-24	180	180	220	6	17,5	70 Sh	6716	4900

B  
a  
s  
e  
O  
v  
a  
l

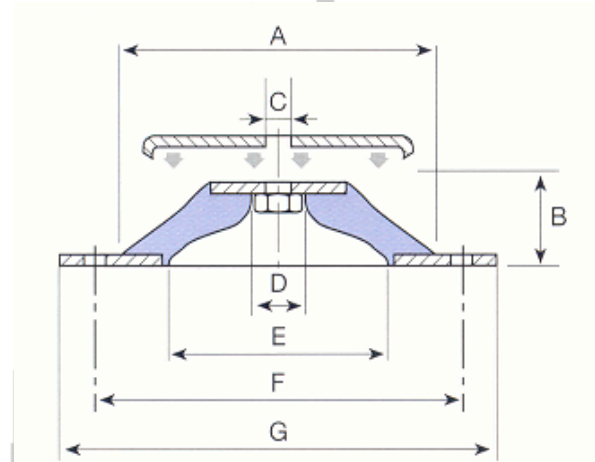
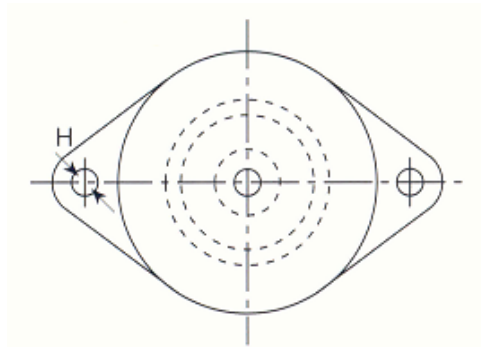
Base  
Quadrada

## Apoio Anti-vibrador MARINO



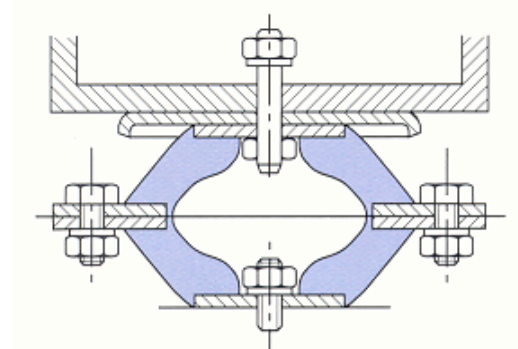
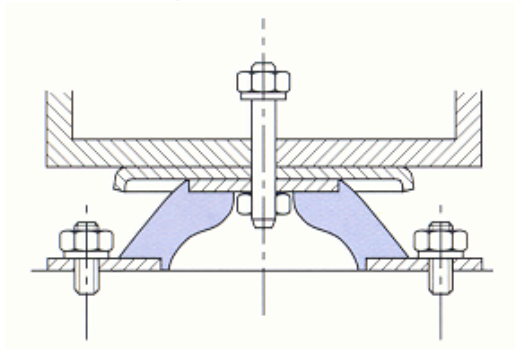
Refª	TIPO	A	B	C	D	F	G	M	Dureza	Peso grs	Carga Kg
191136004	Pequeno	120	38,5	60	100	11	14	M-12	65 Sh	397	98
191136025	Médio	183	50	75	140	13	13	M-16	75 Sh	857	350
191136044	Grande	228	68	112	182	18	34	M-20	75 Sh	2250	1050
191136064	Extra Grande	330	112	190	270	22	22	M-20	75 Sh	9600	*

## Apoio Anti-vibrador DSD

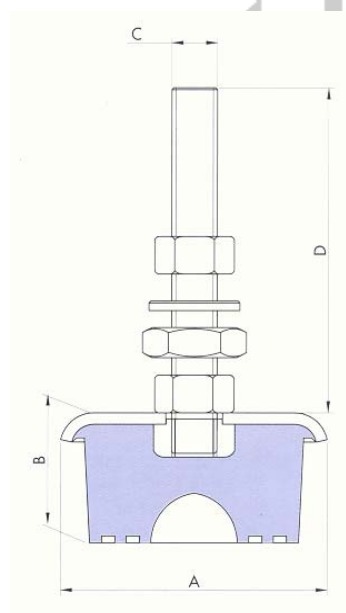


Ref <sup>a</sup>	TIPO	A	B	C	D	E	F	G	H	Dureza	Peso grs	Carga Kg
191134003	DSD 40	40	20	M-6	19	29	52	64	8,5	75 Sh	27	*
191134006	DSD 60	60	24	M-6	14	34	76	90	8,5	75 Sh	78	45
191134009	DSD 80	80	27	M-8	25	65	100	120	8,2	75 Sh	146	150
191134012	DSD 100	100	28	M-10	22	70	124	148	10	75 Sh	274	220
191134015	DSD 150	150	39	M-14	34	115	182	214	12	75 Sh	703	350
191134018	DSD 200	200	44	M-18	35	140	240	280	14,5	75 Sh	1758	1250

### Montagens



## Apoio Anti-vibrador SV



Ref <sup>a</sup>	TIPO	A	B	C	D	Carga Kg		Peso grs
						Min.	Max.	
191143001	000	40	23	M-8	48	20	80	89
191143002	00	60	28	M-10	81	60	120	235
191143003	0	70	32	M-12	89	90	160	350
191143004	1	85	32	M-12	89	130	350	456
191143005	2	100	40	M-14	109	270	600	702
191143006	3	120	50	M-16	116	450	900	954
191143007	4	140	55	M-16	116	700	1.200	1.513
191143008	5	160	60	M-16	116	1100	1.750	1.865
191143009	6	180	70	M-24	138	1500	2.500	3.034
191143010	7	210	75	M-24	138	2100	3.750	4.248

\* Possibilidade de ser Fabricado em Aço Inoxidável